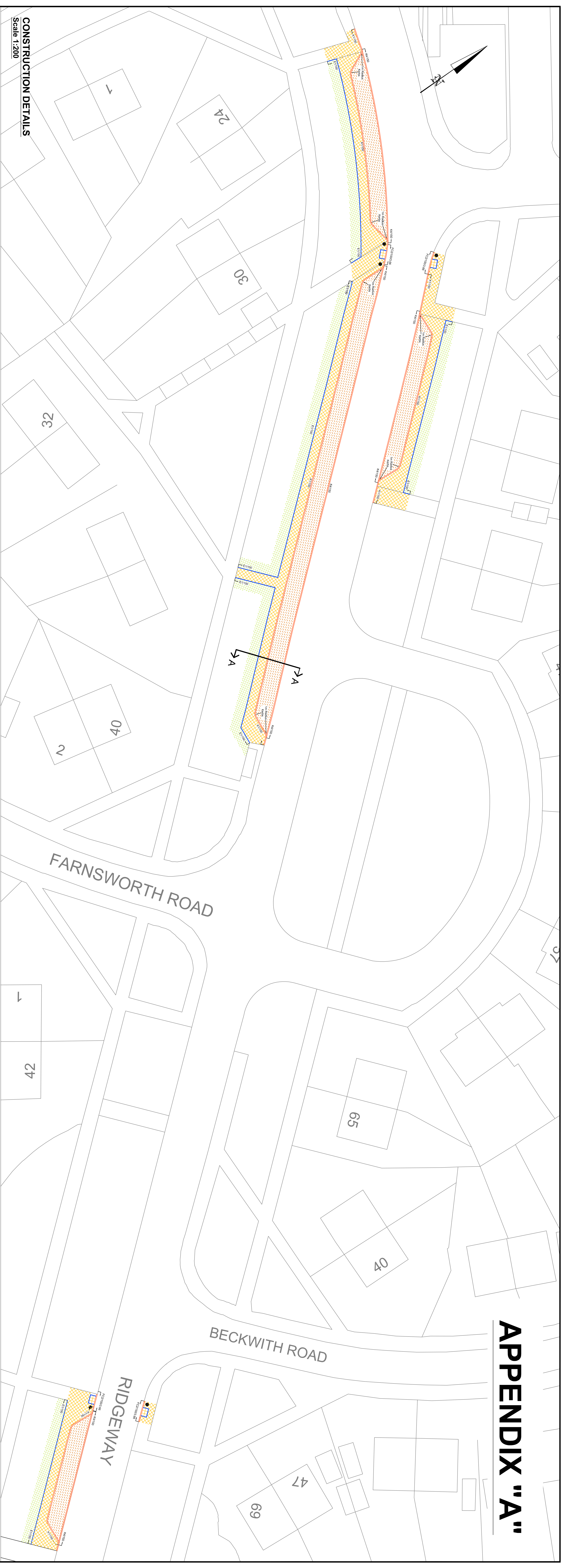
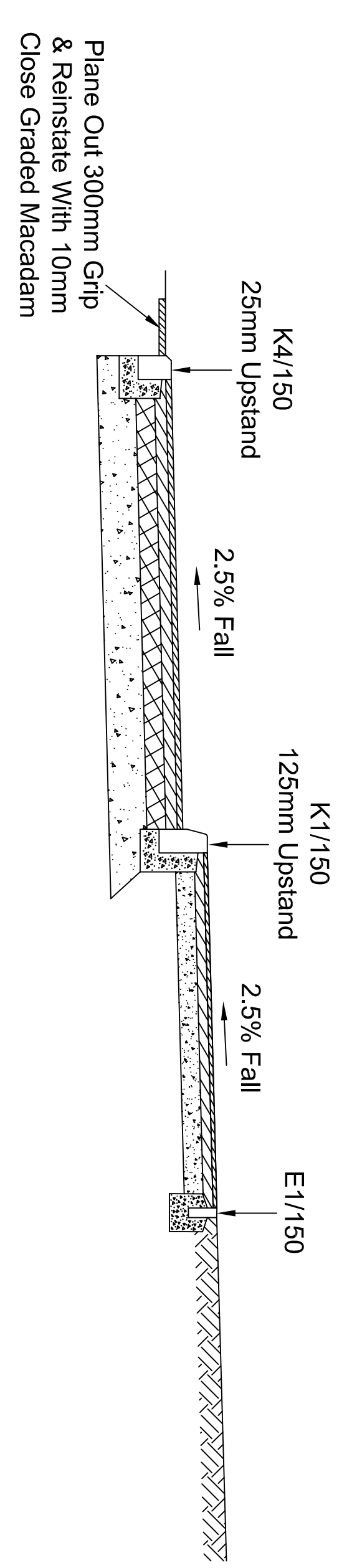
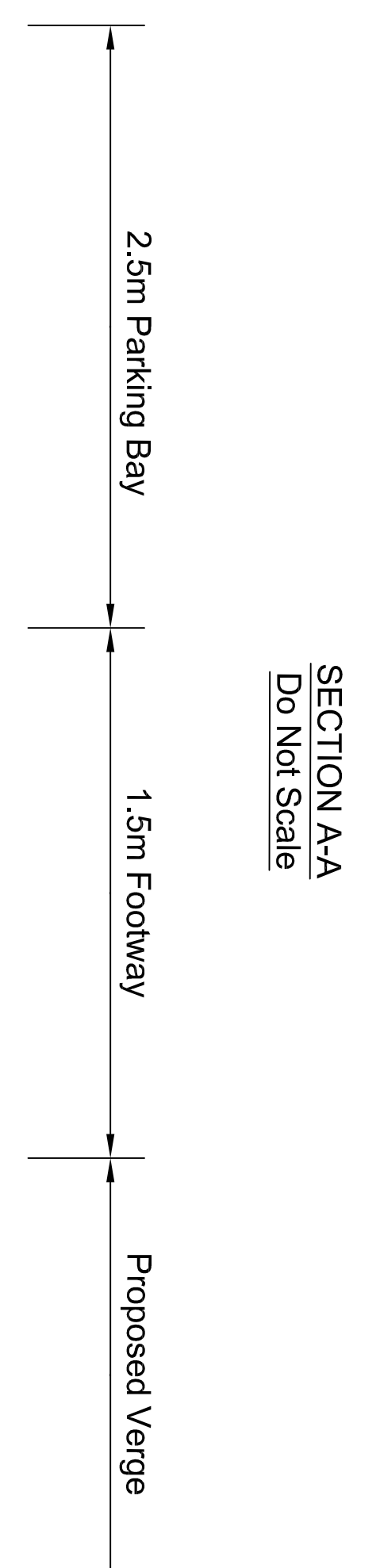
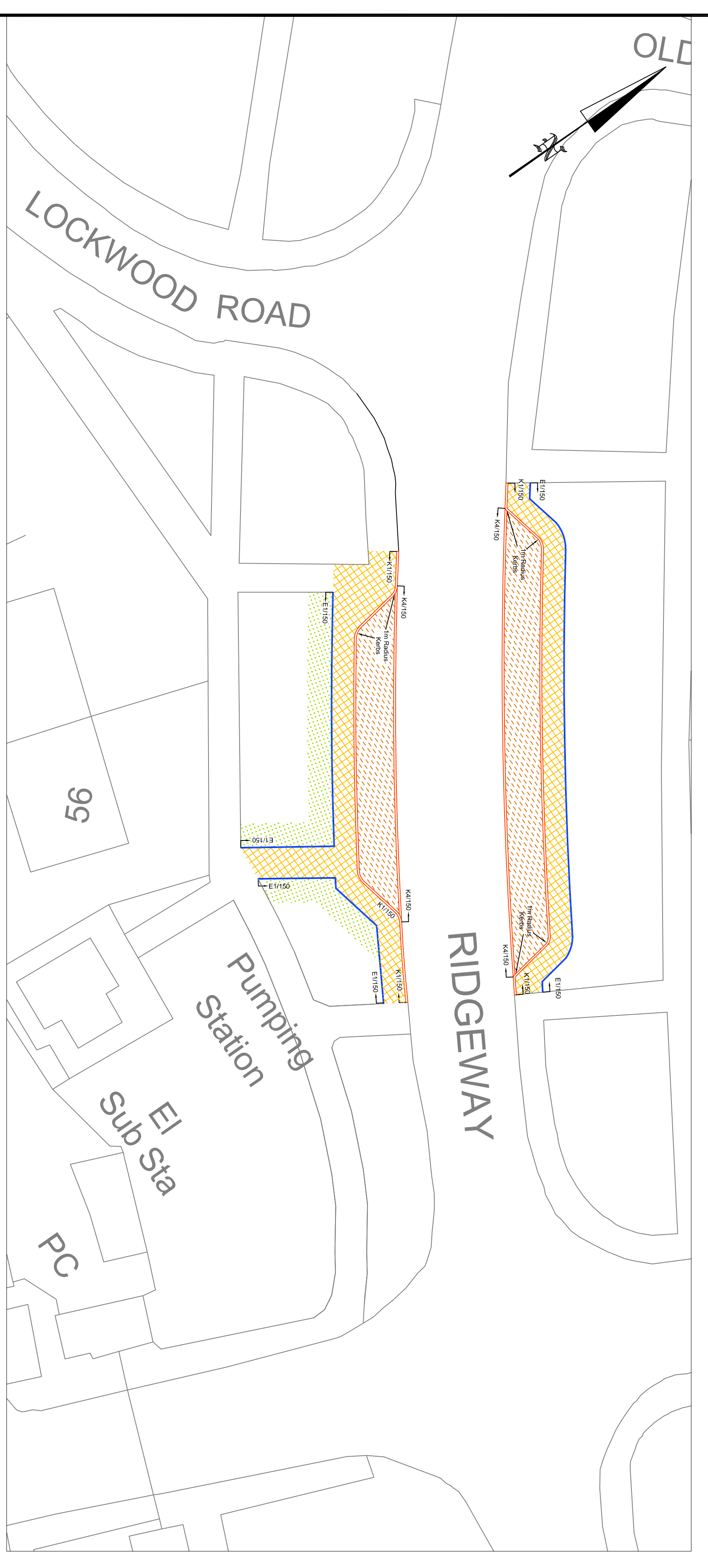


# APPENDIX "A"



**CONSTRUCTION DETAILS**  
Scale 1:200



- KEY**
- Parking Bay Construction  
300mm Thick, 100mm Aggregate Closed Graded Macadam Surface Course  
600mm Thick, 200mm Aggregate Dense Macadam Binder Course  
1000mm Thick, 20mm Aggregate Dense Macadam Binder Course  
200mm Thick Type 1 Sub Base
  - Footway Construction  
200mm Thick Dense Wearing Course  
200mm Thick Dense Macadam Binder Course  
1000mm Thick Type 1 Sub Base
  - 100mm Thick Soil & Seeding
  - Proposed Gorse/Deer Bedland

- NOTES**
1. Concrete bedding and labelling to all kerbs, channels and edgings to be 150mm.
  2. Short lengths of additional kerbs may be required to maintain crossing width (cut kerbs not to be less than 300mm in length).
  3. All setting out to be agreed with engineers on site.
  4. Kerb upstand dropped crossing to be 25mm, 125mm for full upstand kerbs.
  5. Soil and seed to edges of paths may be required.
  6. All saw cuts and similar must use a dust suppression system.
  7. Refer To RNBC Standard Details-- SD/1100/1, SD/1100/2, SD/1100/7, SD/1100/8 & SD/100/11
  8. Ensure firm radius internal & external kerbs are used for corners of parking bay.

<p><b>Rotherham Metropolitan Borough Council</b> Environment &amp; Development Services</p>		<p>Rotherham Metropolitan Borough Council Environment &amp; Development Services Bailey House, Rawmarsh Road, Rotherham S60 1TD</p>		<p>Client:</p>	
<p>Strategic Director: Karl Eakrsey (see front) BTPA, MRPA</p>		<p>Project: Decent Homes Environmental Improvements Ridgeway, East Herringthorpe</p>		<p>Date: 18/03/10</p>	
<p>Rev. A</p>		<p>Description: Parking bay separate junction of Beckwith Road deleted. Additional parking bay proposed (see 7, 10 and 12 Notes)</p>		<p>Date: 18/03/10</p>	
<p>Initial: DJS</p>		<p>Title: Detail Design</p>		<p>Date: 18/03/10</p>	
<p>Scale: As Shown</p>		<p>Dwg. No: 122/M162/V2/24</p>		<p>Date: 18/03/10</p>	
<p>LSG/DJS</p>		<p>As Shown</p>		<p>Date: 18/03/10</p>	
<p>March 2010</p>		<p>Rev</p>		<p>Date: 18/03/10</p>	
<p>March 2010</p>		<p>Chk. by: NF</p>		<p>Date: 18/03/10</p>	